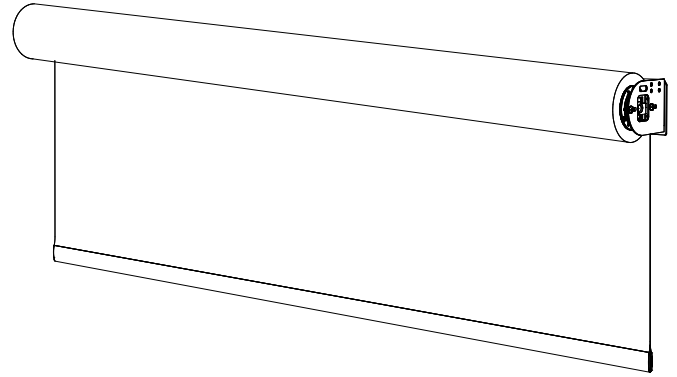


## Lutron | Roller 100

The Sivoia QS roller 100 shade utilizes the ultra-quiet, precision controlled Electronic Drive Unit (EDU). The Sivoia QS EDU is housed inside the roller shade assembly and controls the movement of the shade, keeps track of the shade's position, and adjusts the shade to the user's desired preset positions.

### Features and Specifications

- Ultra-quiet operation: will not exceed 38 dBA measured 3 ft (1 m) from the EDU.
- Shades move in perfect unison and exact alignment within 0.125 in (3 mm) accuracy at all times.
- Smooth, silent starts, and stops
- Offers programmable stop points. The EDU tracks the position of the shade and is able to adjust it to predetermined locations at the touch of a button.
- Provides maximum window coverage with the smallest possible light gaps, 0.75 in (19 mm) between the shade fabric and the outside edges of the shade brackets. Light gaps are symmetrical on both sides of shade.
- Easy-to-read and easy-to-use controls.
- Does not require group controls or relay systems to create shade groups and sub-groups.
- 24-36 V $\overline{=}$  low-voltage power.
- Power failure memory for the lifetime of the product.
- 8 year limited warranty.



Lutron Roller 100 Shade  
(wall-mount shown)

Job Name:

Model Numbers:

Job Number:

## Specifications

### Power

- Operating voltage: Low-voltage Class 2, 35 V $\overline{=}$  power supply required.
- Control system power supply offers (spike and brownout) overvoltage protection (+/- 10% of line voltage) for all devices in the system.
- Power supply provides appropriate Electro Static Discharge (ESD) protection for all devices in the system.
- Power must be derived from a Lutron approved NEC Class 2 power source.

### System Capacity

- System allows for a total of 100 devices, such as a Sivoia QS shade, a seeTouch QS keypad, a GRAFIK Eye QS, and QS power supplies.
- System allows for a total of 100 zones, including Sivoia QS shades and GRAFIK Eye QS.
- Maximum size of shade fabric per EDU is 100 sq ft (10 sq m).

### Performance

- System allows for symmetrical light gaps as small as 0.75 in (19 mm) on each side.
- Each EDU stores presets positioned at any stop point along the shade's travel, as well as full open and full close shade limits.
- Each EDU is capable of stopping with the accuracy of 0.125 in (3 mm) steps for the entire travel of the shade.
- Preset points can be located at any point between the open/close limits and are adjustable with a 5 second button push and hold from the seeTouch QS keypads or GRAFIK Eye QS.

- For systems with multiple EDUs, shades smoothly move in unison and exact alignment within 0.125 in (3 mm) accuracy at all times.
- Limits are programmable and adjustable from the EDUs, wall-mounted seeTouch QS keypads and/or GRAFIK Eye QS.

### Grouping

- System keypads can control any EDU, group, or subgroup without a separate group controller or additional interface.
- System groups and subgroups can be reconfigured at the point of control without rewiring and without access to the EDU.
- Controls within this system are able to operate any group or subgroup of EDUs, regardless of window treatment type.

### Integration

- EDUs seamlessly integrate with Lutron lighting control, GRAFIK Eye QS, without a separate interface.
- Contact closure, R232, and ethernet available to integrate with A/V equipment such as time clocks and security systems.

### Controls

- Sivoia QS shades can be controlled by built-in shade columns on a GRAFIK Eye QS, or by seeTouch QS keypads.
- seeTouch QS keypads are low voltage
- Microprocessors are contained in the EDU, GRAFIK Eye QS, and seeTouch QS keypads, allowing high level programming from either source.
- All Sivoia QS shades, GRAFIK Eye QS and seeTouch QS keypads are wired together on the same communications link.

Job Name:

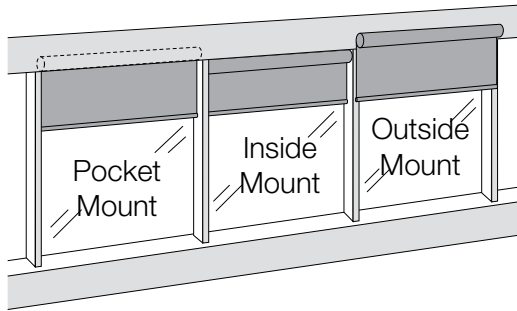
Model Numbers:

Job Number:

## Sivoia QS roller 100 shade options

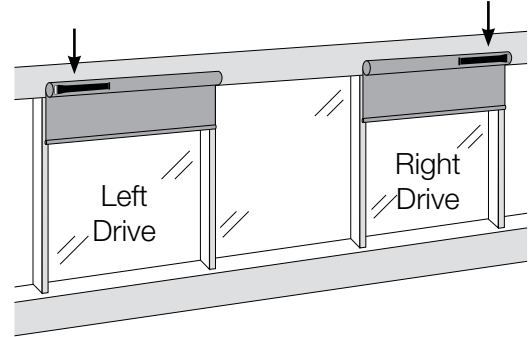
### Mounting options

Depending on window dimensions, brackets can be mounted in a pocket, inside the window frame, or outside the window frame.

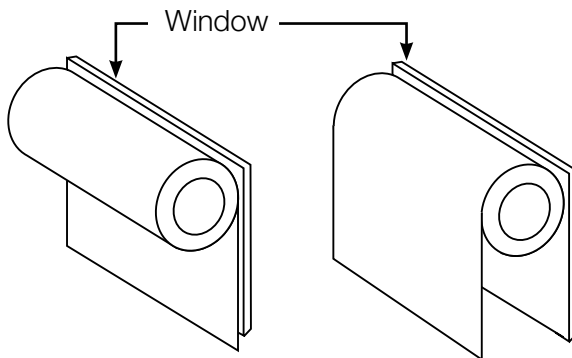


### Drive side options

EDU can be specified on the left or right of the shade:



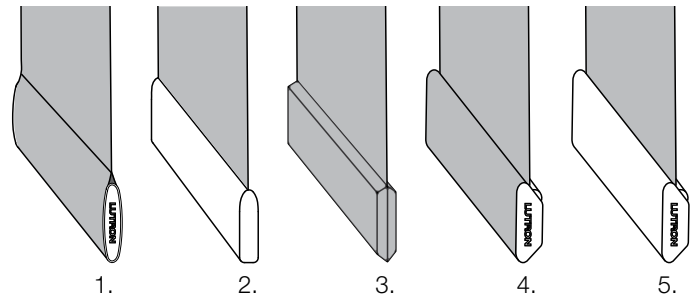
### Fabric drop options



Regular Roll

Reverse Roll

### Bottom bar options



1. Designer (standard)
2. Exposed\*
3. Sealed
4. Architectural Half-Wrap\*
5. Architectural Exposed\*

\* Colors available: white, black, bronze, silver, or custom color

### Fabric options

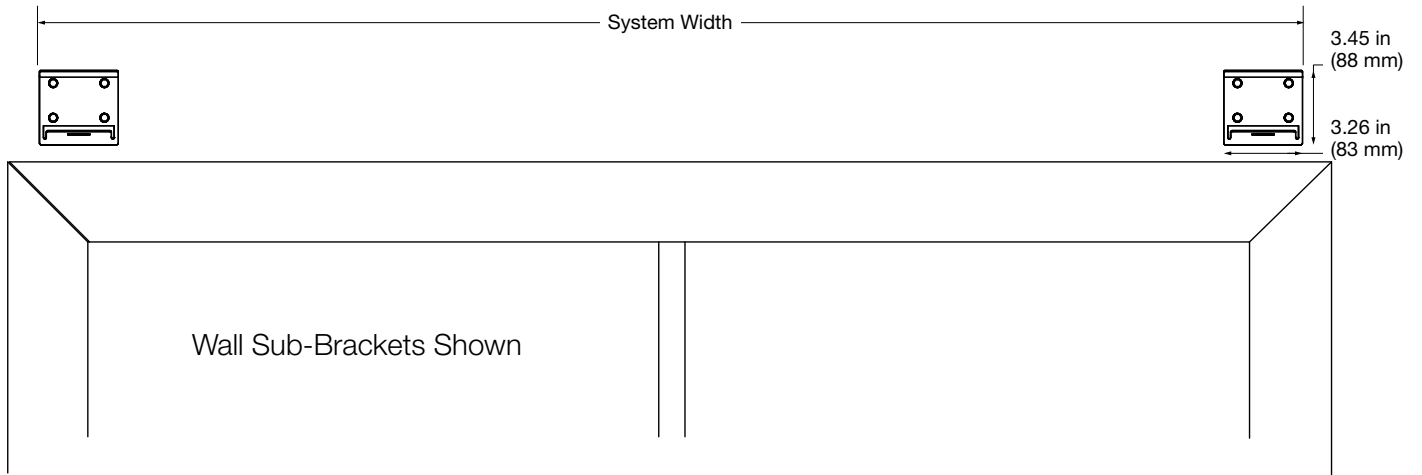
Sivoia QS roller shades are available in a wide variety of fabric types including:

- Sheer – Filter sunlight, UV protection, view
- Privacy – Minimal translucence, UV protection
- Room Darkening – Maximum UV protection, no view (for complete blackout, side channels and pocket, or facia/top back cover must be added)

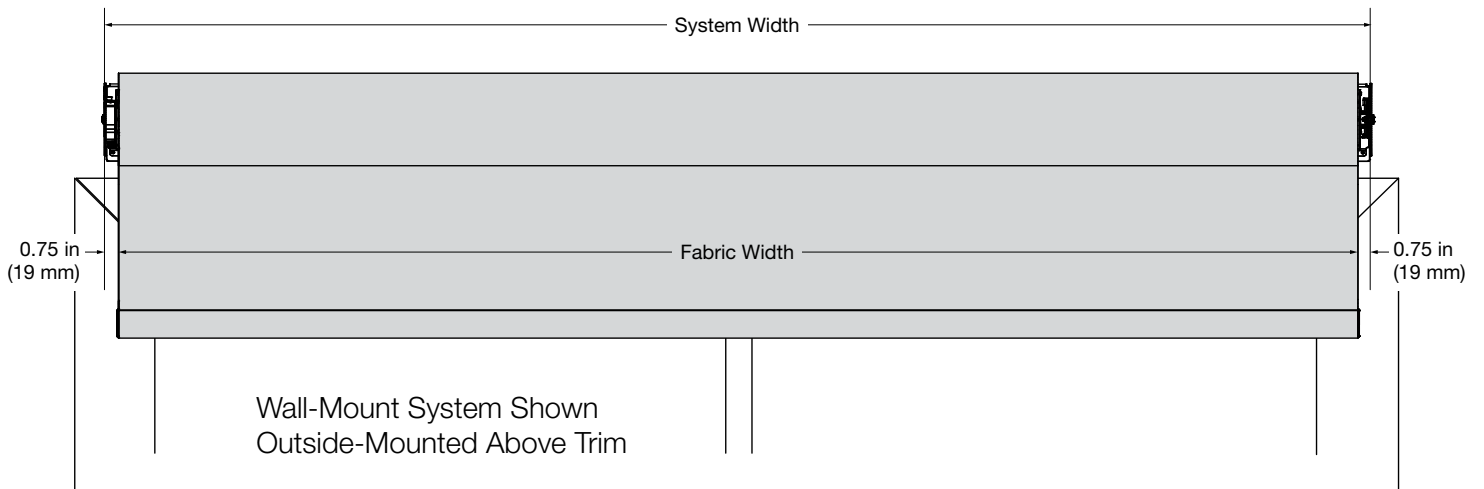
For more information on available roller shade fabrics, visit [www.lutronfabrics.com](http://www.lutronfabrics.com)

|             |                |
|-------------|----------------|
| Job Name:   | Model Numbers: |
| Job Number: |                |

### Dimensions



### Complete Assembly

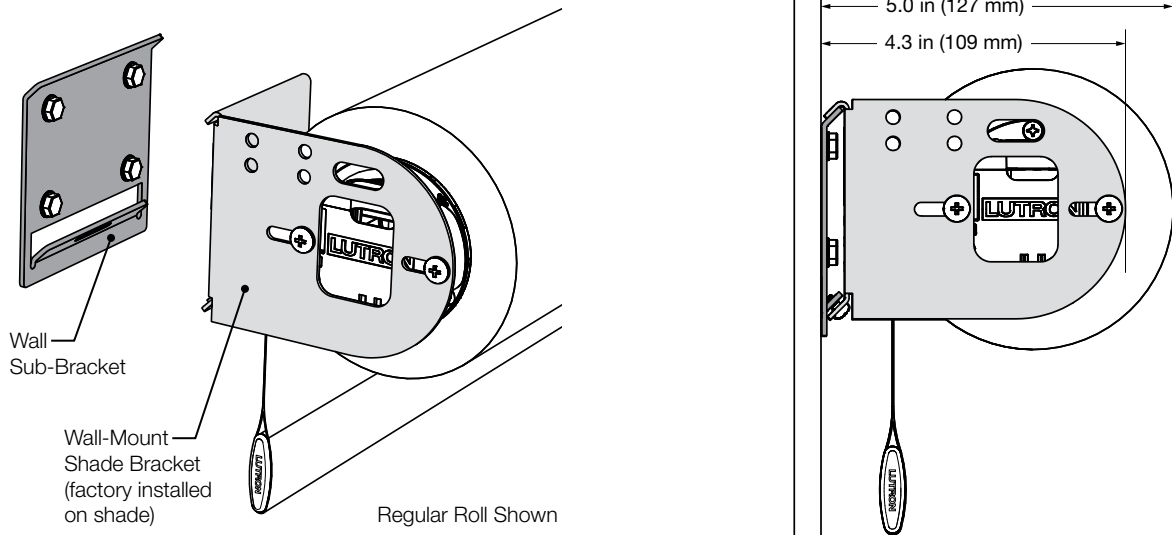


|             |                |
|-------------|----------------|
| Job Name:   | Model Numbers: |
| Job Number: |                |

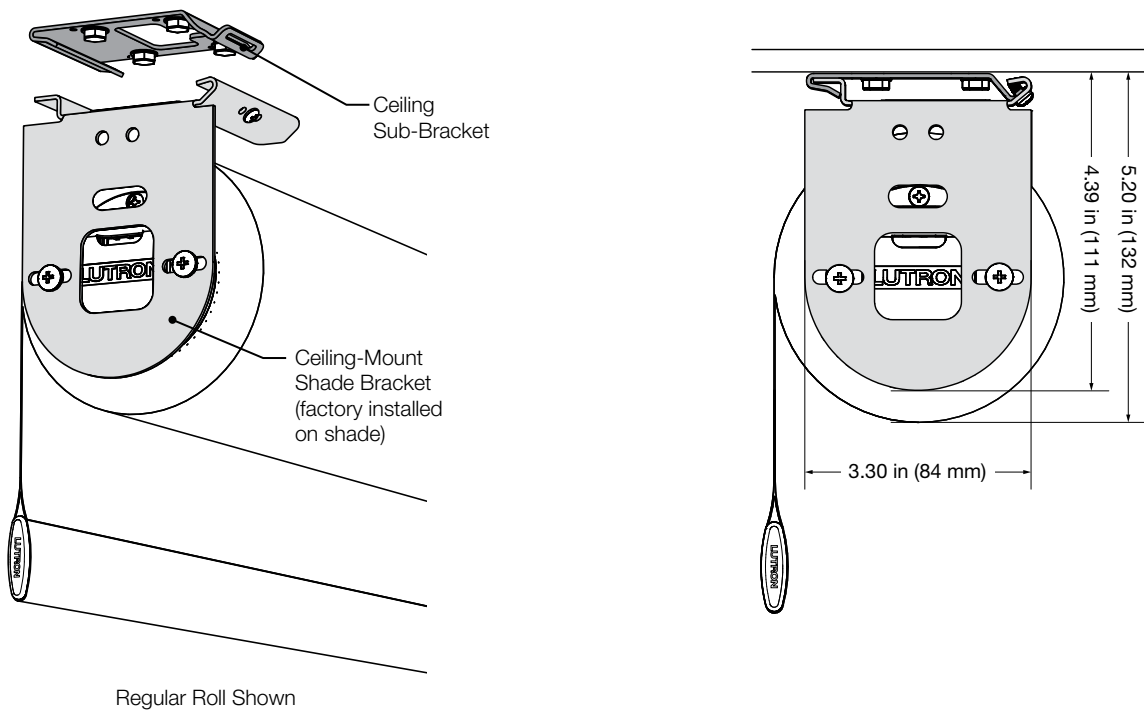
### Bracket Options

Roller 100 brackets employ a two-piece design to maximize ease and flexibility of installation.

#### Wall Mount



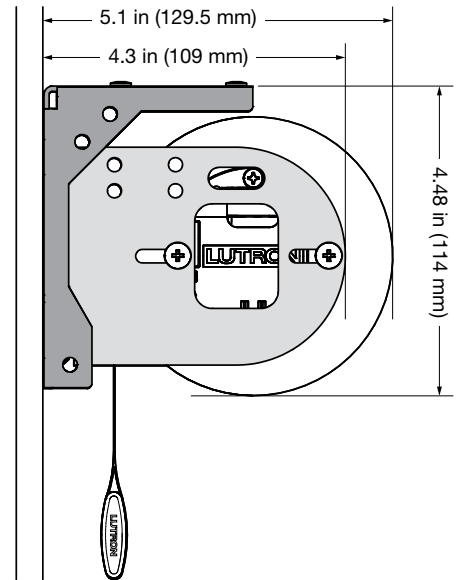
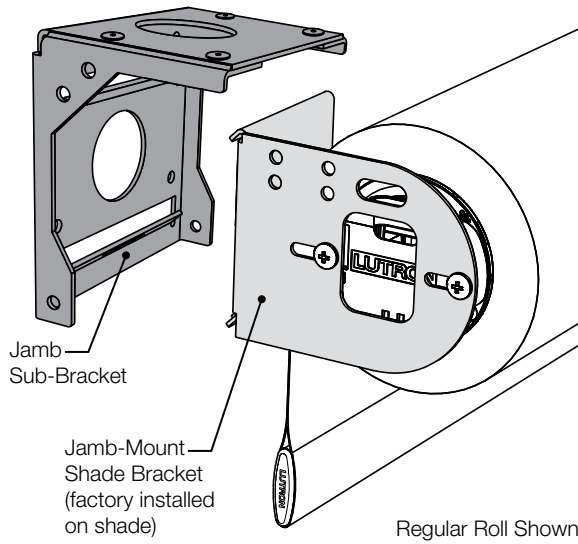
#### Ceiling-Mount



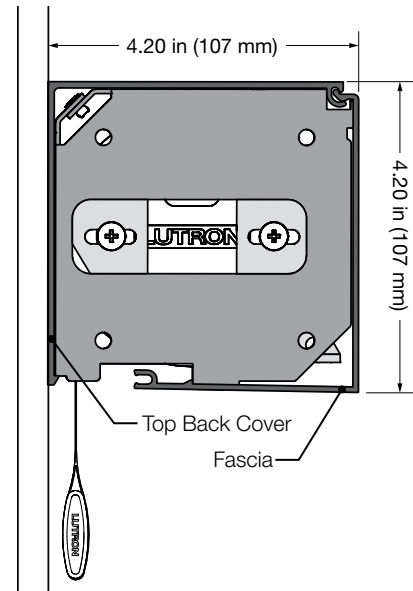
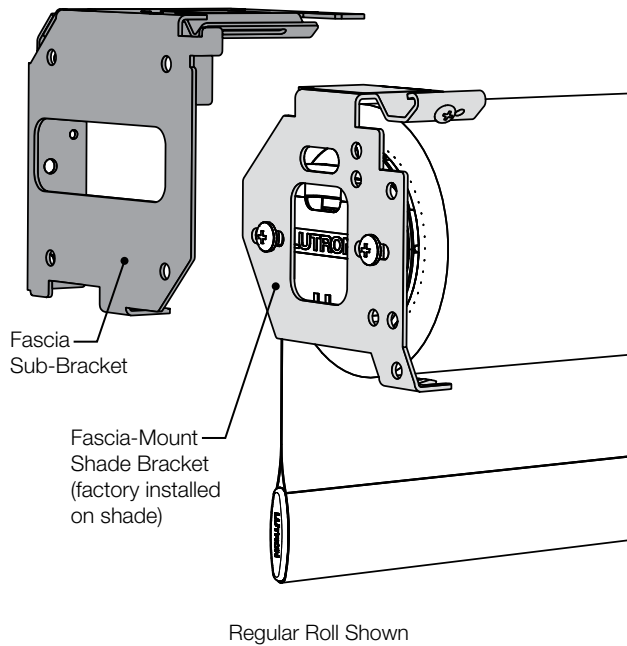
|  |                       |
|--|-----------------------|
| <p>Job Name:</p><br><p>Job Number:</p> | <p>Model Numbers:</p> |
|--|-----------------------|

### Bracket Options *continued...*

#### Jamb Mount



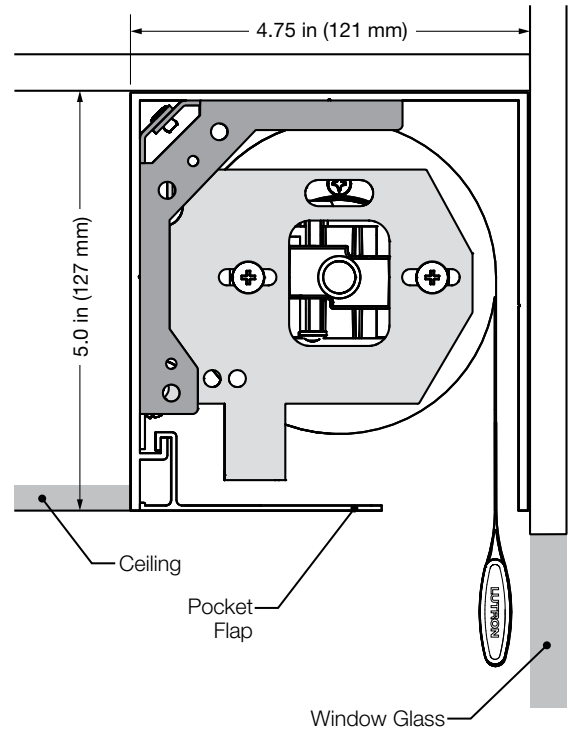
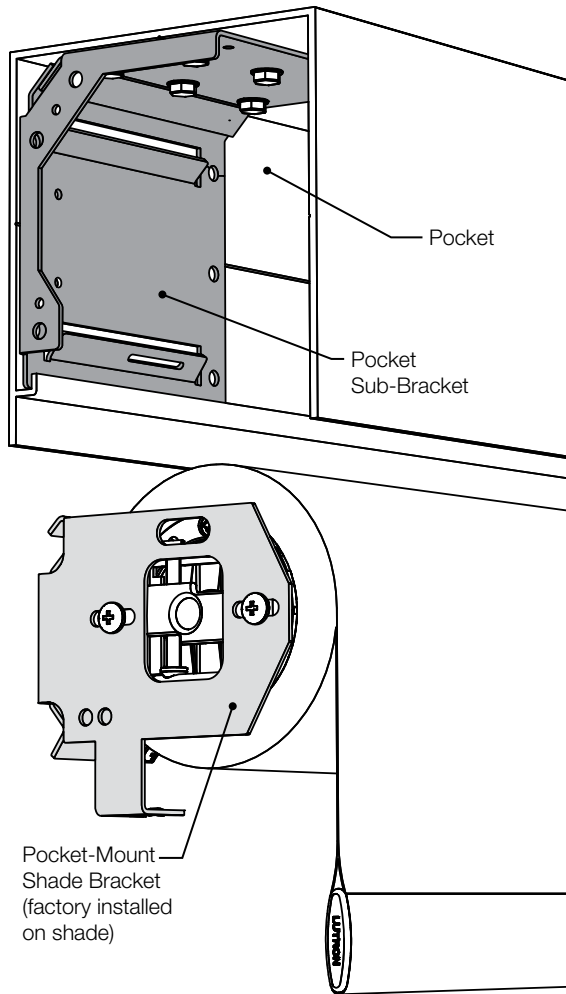
#### Fascia-Mount



|  |                       |
|--|-----------------------|
| <p>Job Name:</p><br><br><p>Job Number:</p> | <p>Model Numbers:</p> |
|--|-----------------------|

### Bracket Options *continued...*

#### Pocket Mount



Regular Roll Shown

|             |                |
|-------------|----------------|
| Job Name:   | Model Numbers: |
| Job Number: |                |

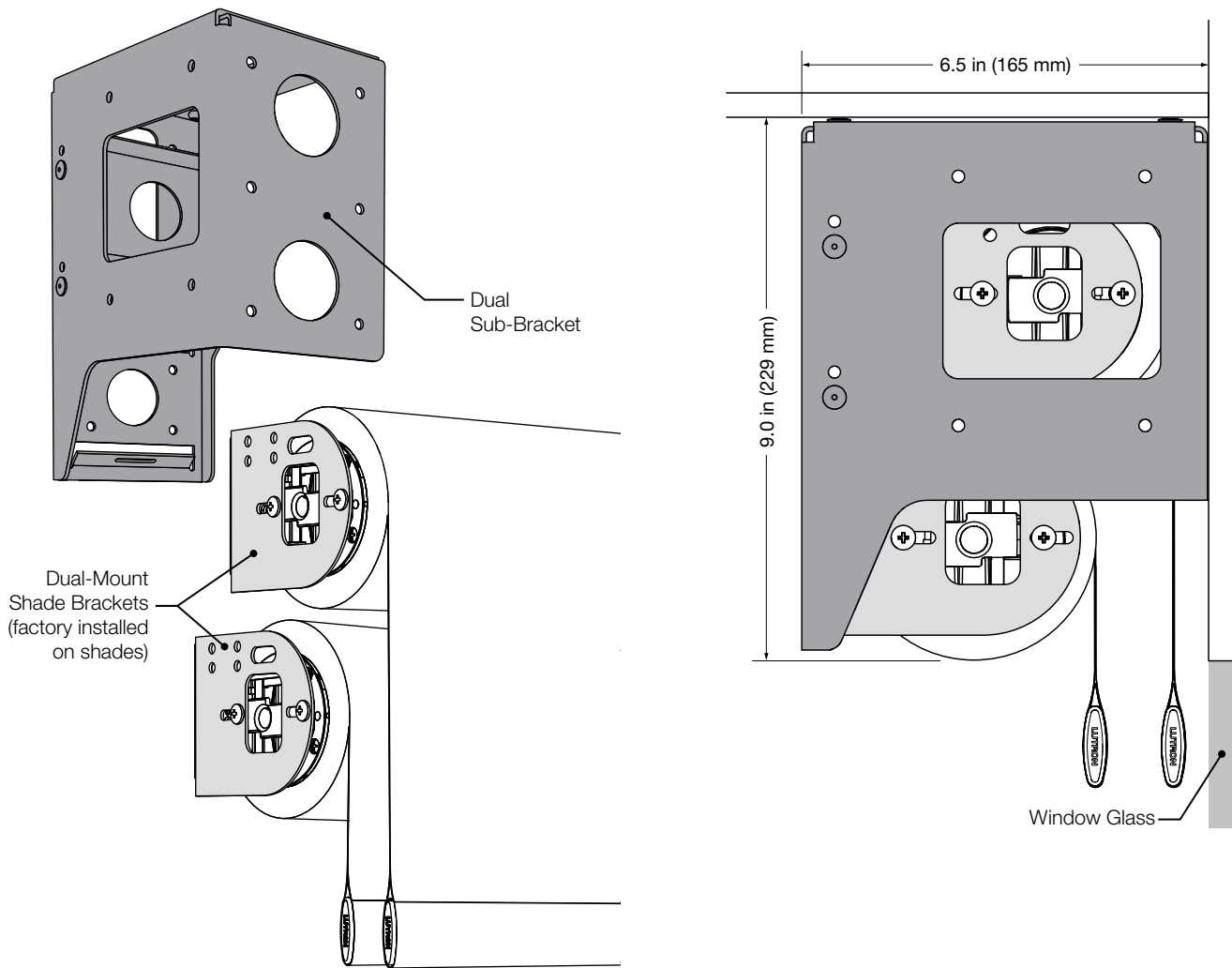
### Bracket Options *continued...*

#### Dual Mount

A common roller shade application is the use of two fabrics on one window, typically a sheer and a blackout.

Fabric unrolls closest to glass.

Minimum pocket size is 7 in deep X 11 in high (178 mm X 279 mm).



Regular Roll Shown

|             |                |
|-------------|----------------|
| Job Name:   | Model Numbers: |
| Job Number: |                |

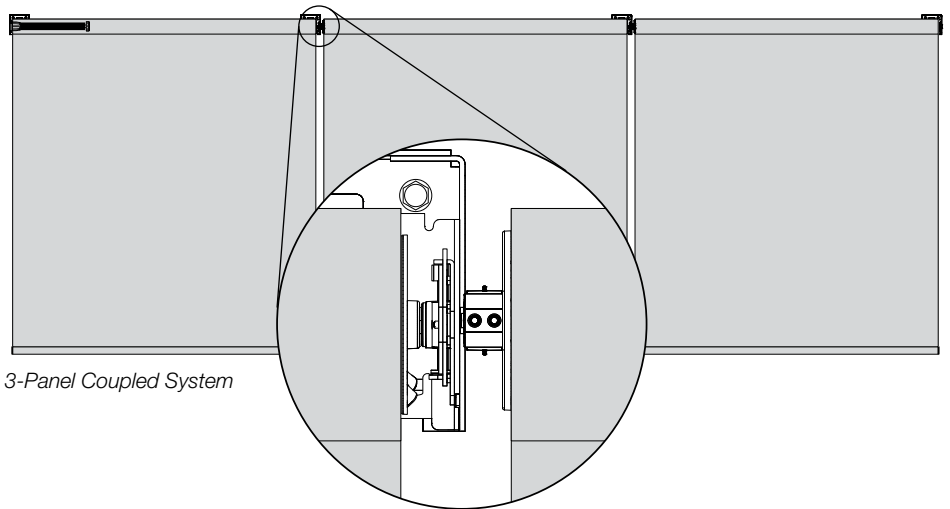


## Coupled Systems

Up to six (6)\* shade panels can be coupled, powered by a single electronic drive unit (EDU).

- Increased efficiency by operating multiple shades with one EDU
- 1.5 in (38 mm) minimum light gap between panels
- Bottom bars of coupled shades may be aligned after installation (see below)
- The coupled system maintains precise bottom bar alignment (within 0.125 in [3 mm])
- Available with all mounting options (see the following page for more information)

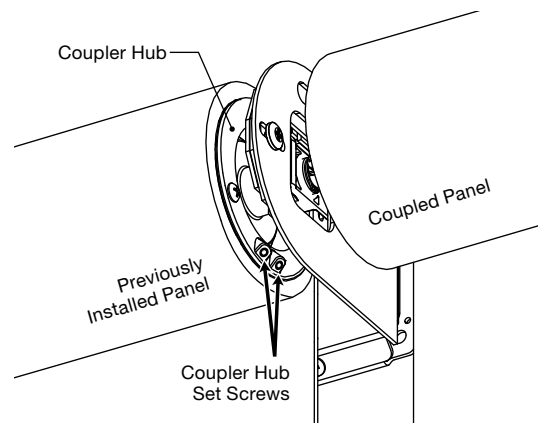
\* The number of panels that can be coupled in a single system is subject to limitations based on fabric selection and panel dimensions. For specific details, consult your shade ordering tool or contact Lutron Customer Service.



3-Panel Coupled System

## Bottom Bar Alignment

- Hembars of adjacent shades can be leveled during installation
- To level hembars – loosen both coupler hub set screws, adjust the shade and re-tighten both screws



Job Name:

Model Numbers:

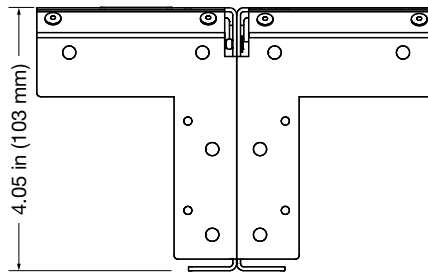
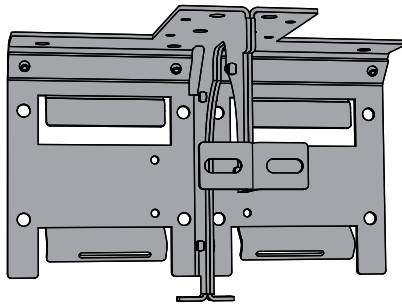
Job Number:

## Coupled Systems *continued...*

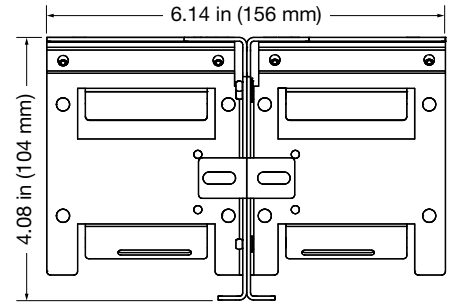
### Sub-Brackets for Coupled Systems

The sub-brackets shown here are provided for mounting couplers within their respective system types. All other system types not shown utilize the system-native sub-bracket for mounting shade couplers.

#### Fascia-Mount

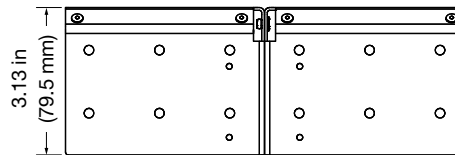
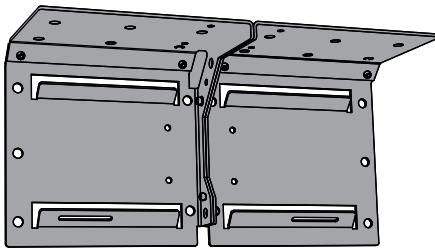


PLAN VIEW

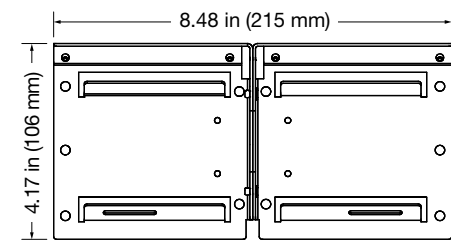


ELEVATION VIEW

#### Pocket-Mount

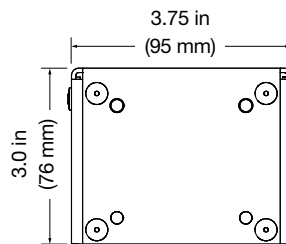
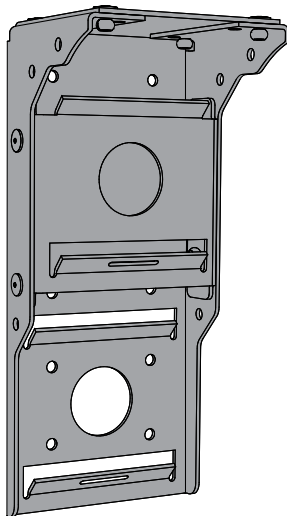


PLAN VIEW

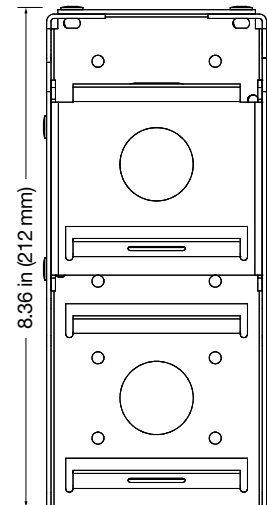


ELEVATION VIEW

#### Dual-Mount



PLAN VIEW



ELEVATION VIEW

|  |                       |
|--|-----------------------|
| <p>Job Name:</p><br><br><p>Job Number:</p> | <p>Model Numbers:</p> |
|--|-----------------------|